



"Where a Great Kitchen Begins"

Bottom Mount Reach-in Freezers

One, Two and Three Door Reach-ins

Customer Service: 917-818-6899 | Service/Warranty: 1-866-972-3352

www.PadelaEquipment.com | Sales@PadelaEquipment.com | Service@PadelaEquipment.com



MODELS: PDB-1F-HC
PDB-2F-HC
PDB-3F-HC

FEATURES:

- Bottom Mount Compressor with environmentally Friendly R290 refrigerant
- Stainless Steel Exterior & Interior
- Dixell Digital Controller
- Maintains temperatures between -8°F – 0°F
- LED interior light (s)
- Recessed Door Handle(s)
- Door locks(s) standard
- Magnetic door gasket(s) standard for positive door seal
- Pre-Installed casters
- Three (3) Pre-Installed shelves per section
- Down Duct Refrigeration to Ensure even distribution of air

OPTIONAL FEATURES:

- Extra Shelves – includes 4 shelf clips per shelf
PDB-1F-HC shelf part #: W0402393
PDB-2F-HC shelf part #: W0402387
PDB-2F-HC shelf part #: W0402387
left/right shelf, part #: W0402388
middle shelf
- 3" Casters



PDB-2F-HC

DIMENSIONS:

	Width	Depth	Height	Net Weight
PDB-1F-HC	27	x 31 ^{7/10}	x 83 ^{1/10}	265
PDB-2F-HC	54 ^{2/5}	x 31 ^{7/10}	x 83 ^{1/10}	410
PDB-3F-HC	81 ^{9/10}	x 31 ^{7/10}	x 83 ^{1/10}	551



Intertek
400.393.5

Intertek
400.393.5



"Where a Great Kitchen Begins"

Bottom Mount Reach-in Freezers

One, Two and Three Door Reach-ins

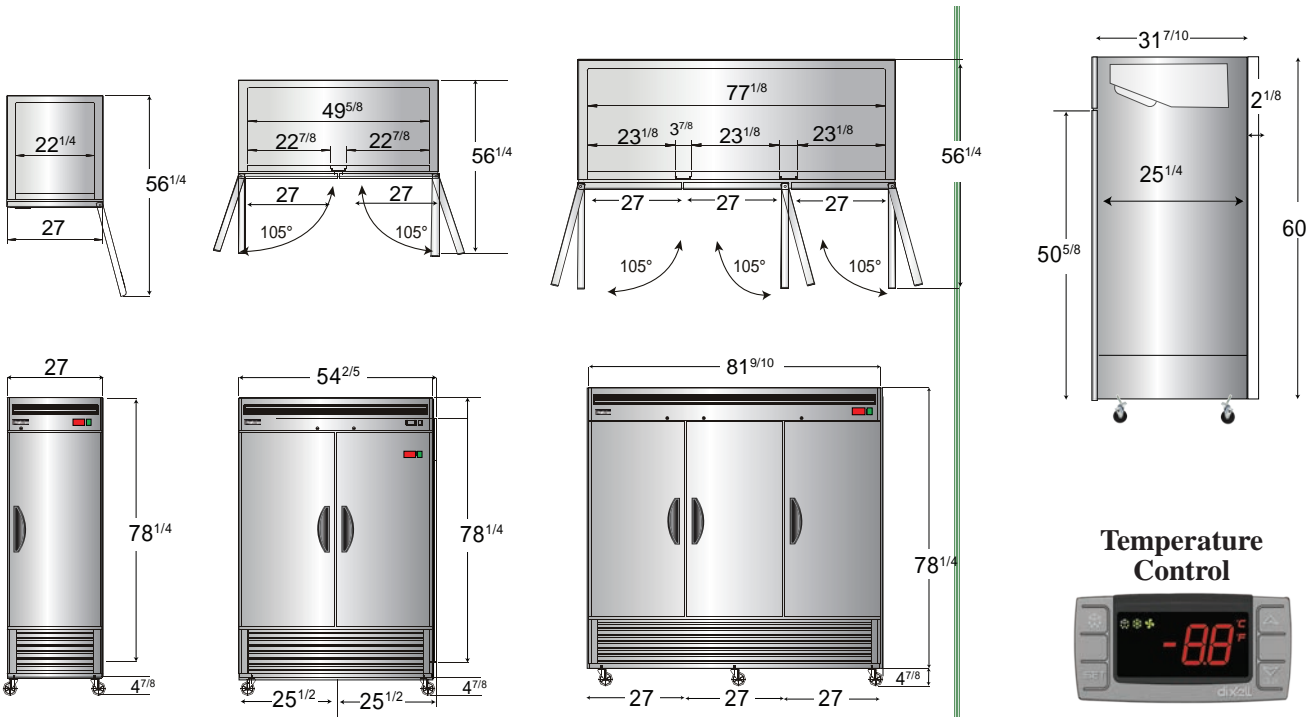
Customer Service: 917-818-6899 | Service/Warranty: 1-866-972-3352

www.PadelaEquipment.com | Sales@PadelaEquipment.com | Service@PadelaEquipment.com

SPECIFICATIONS

Models	Door	Capacity (Cu.Ft.)	Shelves	Casters (inch)	Amps (A)	Voltage (V/Hz/Ph)	HP	Refrigerant	Exterior Dimensions (inch)	Net Weight (lbs)	Gross Weight (lbs)
PDB-1F-HC	1	19.1	3	4	6.3	115/60/1	1/2	R290	27×31 ^{7/10} ×83 ^{1/10}	265	298
PDB-2F-HC	2	44.8	6	4	8.6	115/60/1	3/4	R290	54 ^{2/5} ×31 ^{7/10} ×83 ^{1/10}	410	465
PDB-3F-HC	3	68	9	4	6.2	208-230/115/60/1	1	R290	81 ^{9/10} ×31 ^{7/10} ×83 ^{1/10}	551	638

LINE DRAWINGS



Temperature Control



Epoxy Shelves



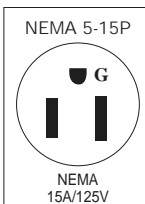
Door Lock



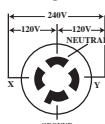
Casters



PDB-1F-HC
PDB-2F-HC



PDB-3F-HC



GROUND
115/208-230/60/1
NEMA-414-20R
Unit completely
pre-wired at factory
and ready for final
connection to a
115/208-230/60/1
single phase - 20
amp dedicated
outlet. Cord and
plug set included.
*MBF9003 only